

# 560 SERIES



## 46" INTERACTIVE COMMERCIAL LCD HDTV

### LN46D560F9HXZA

46" Interactive Commercial LCD HDTV

#### Industry Leading Design and Performance

For optimum HDTV performance at the greatest value, consider Samsung's Value Class of LCDs. TVs also include Hotel commercial television features, Volume Limiters, Front Panel Lock-out, Menu Display Lock-Out, Hotel Custom Logo/Welcome Message, Channel Electronic Program Guide (EPG) Re-Mapping, Remote Jack Pack (RJP) Priority, USB Cloning and Anti-Theft Battery Cover Remote Control. With so many features, Samsung is the hotelier's logical choice.



#### VIDEO PERFORMANCE

- Fast 8ms Response Time
- FHD 1920 x 1080 (1080p)
- 200,000 : 1 Dynamic Contrast Ratio
- MPEG2/MPEG4 H.264 Decoding

#### FEATURES

- Sleep Timer
- Auto TV On
- Close Caption
- ConnectShare™ (USB 2.0)
- Auto Channel Search
- Auto Volume Limiter
- OSD Language
- 90°/90° Swivel (Left/Right)
- Hotel Mode Plug & Play
- Music Mode (Input: PC/AV/Component)
- Music Mode Backlight On/Off
- Hotel TV (RJ12/IR Pass Through)
- Power On Status Setting (Master)
- USB Cloning
- Multi Code Remote
- Anti-Theft Battery Cover
- Channel List
- Alarm Key
- Hotel Logo Display with Time Out Setting
- SIRCH

#### CONNECTIONS

- 3 HDMI®
- 2 USB
- RJ-12 Interactive Port with IR pass-through

#### AUDIO

- Dolby® Digital Plus
- SRS TheaterSound®
- 10W x 2



#### NET DIMENSIONS (WxHxD)

- TV without stand: 43.4" x 26.5" x 3.1"
- TV with stand: 43.4" x 28.9" x 10.2"

#### UPC

036725 2 3580 9

#### REMOTE JACK PANEL COMPATIBILITY (RJP)

Guest Link, Teleadapt  

#### INTERACTIVE COMPATIBILITY SYSTEM:

LodgeNet, Enseo, N-Streams, Guest-Tek, Seachange, NXSystems, IBAHN, Tangerine, VRN



# LN46D560F9HXZA 46" Interactive Commercial LCD HDTV

## VIDEO PERFORMANCE

**Response Time:** A fast 8ms response time minimizes blurring of fast motion in sports or action programs

**1920 x 1080 (1080p) FHD Resolution:** High resolution pixel density is combined with an image scaler to handle inputs from a variety of sources

**200,000 : 1 Dynamic Contrast Ratio:** Black tones and shadow areas are rendered superbly and with great range

**MPEG2/MPEG4 H.264 Decoding:** Part 10 or AVC (Advanced Video Coding) is a standard for video compression

**Exceeds Energy Star Standard:** LCD energy efficient, up to 30% less than the latest energy star specification on series and screen size and in standard hotel mode

See [www.energystar.gov](http://www.energystar.gov) for more details.

## FEATURES

**Sleep Timer:** Set turn off time

**Auto TV On:** Program TV channel or AV at turn on

**Closed Captioning:** A text display of all audio content including spoken dialog and non-speech information such as the identity of the speakers and symbols for sound effects and music

**ConnectShare™ (USB 2.0):** Connect a thumb drive or digital camera quickly and easily. User friendly interface allows access to videos, a music playlist and pictures via the remote

**Auto Channel Search:** Auto detect channel while in hotel mode

**Auto Volume Limiter:** During initial product set-up, minimum and maximum volume levels can be locked to help minimize disturbance to other hotel guests

**Swivel Base (Left/Right):** 90°/90° degree swivel. Also included is security lock down base to furniture or granite

**OSD Language:** English/French/Spanish

**Hotel Mode Plug & Play:** Interactive Stand Alone

**Music Mode (Input: HDMI/PC/AV/Component):** When picture is muted allows audio feedback

**Music Mode Backlight On/Off:** Background Display

**Hotel TV (RJ-12/IR Pass Through):** Connecting Interactive STB/SBD (Set Top/Back Box)

**Power On Status Setting:** Power always on, last option, or standby

**USB Cloning:** A quick and easy way to copy the ideal settings of television to others on the property. Saves time and helps provide a consistent viewing experience for all televisions.

**Multi Code Remote:** Eliminates interference when two or more TVs are used in close proximity

**Anti-Theft Battery Cover:** Battery door is secured helping to always keep batteries in the remote controller

**Channel List:** Re-mapping of A/V or digital minor channel

**Alarm Key:** Activate TV as wake up alarm

**Hotel Logo Display with Time Out Setting:** Display hotel logo bitmap files as a greeting startup display

**SIRCH:** Samsung Interactive Remote Control for Hospitality is a management head-end remote control system that is able to manage applications such as channel line-up, channel names, TV Cloning, and firmware upgrades to all hotel TV's, all at the same time from a remote location (Additional equipment required)

## CONNECTIONS

**3 HDMI®** – version 1.3 (2 side, 1 rear)

**2 USB** – version 2.0 (side)

**RF input:** 1 (rear)

**Component (Y/Pb/Pr):** 1 (rear)

**Composite (AV):** 1 (Common use for Component Y)

**PC D-sub:** 1 (rear)

**PC Audio Jack:** 1 (rear)

**Audio Out (Line Out) Monitor:** 1 (rear)

**Optical Sound Out:** 1 (rear)

**RJ-12 for External Control:** 1 (rear)

## AUDIO

**Dolby® Digital Plus**

**10 watts x 2 audio power stereo broadcast reception:** Supports multi-channel sound (MTS) and second audio program (SAP) with 181-channel capacity

**SRS TheaterSound®:** Get crisp, clear digital quality sound via advanced SRS technology

## SPECIFICATIONS

**Panel:** Wide (16:9)

**TV System:** ATSC/Clear QAM Cable

**Channel Coverage:** VHF 2-13, UHF 14-69, CATV

**Antenna:** CATV/VHF/UHF 75

**Audio Power:** 10W x 2

**4 Energy Saving Modes:**

**Power Supply:** AC 100 ~ 120V ~60Hz

**VESA Wall Mount Pattern:** 400mm x 400mm

## NET DIMENSIONS & WEIGHT (WxHxD)

**TV without stand:** 43.4" x 26.5" x 3.1"

**TV without stand weight:** 39 lbs

**TV with stand:** 43.4" x 28.9" x 10.2"

**TV with stand weight:** 47.4 lbs

## WARRANTY

2-year parts and 2-year labor warranty backed by Samsung Hospitality Hotline 1-866-894-0524. Optional professional installation, accessories and extended warranty is available.

## ORDER CODE

LN46D560E1HXZA

## UPC

036725 2 3580 9

©2011 Samsung Electronics America, Inc. All rights reserved. Samsung ConnectShare, AllShare, Smart TV, AnyNet+ are trademarks or registered trademarks of Samsung Electronics Co., Ltd. Design and specifications are subject to change without notice. Non-metric weights and measurements are approximate. Screen images are simulated.

HDMI, the HDMI logo and High-Definition Multimedia Interface are trademarks or registered trademarks of HDMI Licensing LLC.

ENERGY STAR is a registered trademark of the U. S. Environmental Protection Agency.

SRS TheaterSound HD is a registered trademark of SRS Labs, Inc.

ProLidom is a registered trademark of the Zenith Corporation.

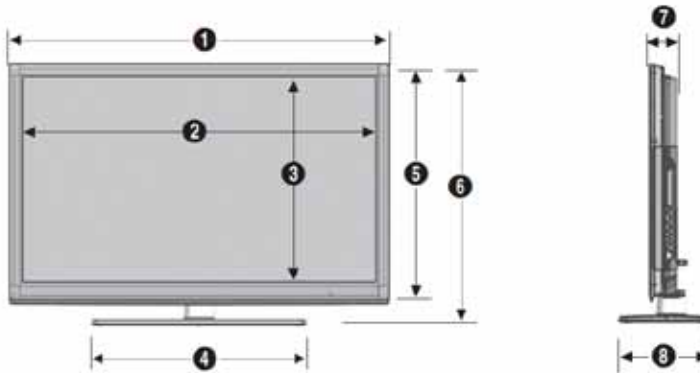
LodgeNet and b-LAN are trademarks of LodgeNet Interactive Corporation.

All other product and brand names are trademarks or registered trademarks of their respective owners.



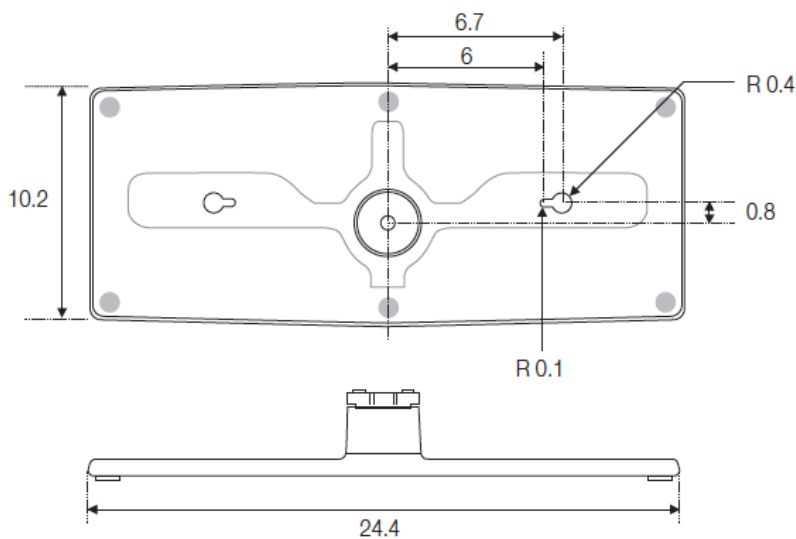
## LN46D560F9HXZA 46" Interactive Commercial LCD HDTV

### DIMENSIONS



(Unit: Inches)

1	2	3	4	5	6	7	8
43.8	40.2	22.6	24.4	26.6	28.9	3.1	10.2



### SIRCH - Samsung Interactive Remote Control for Hospitality (Optional equipment purchase required.)



Hotel Installer can Edit hotel Install Menu/Channel Map data by SIRCH windows application program.

TCP/IP  
(Windows Remote Access)



RF

Coax.  
Cable



All hospitality TV's can be updated over an entire installation. This includes delivering TV firmware, channel map and settings.

